

Implementation of Quantum-Dot Cellular Automata Based Efficient N-Bit BCD Adders

M.Naveen¹, Neelima²

¹Pursuing M.Tech (ES&VLSD), dept. of ECE, Newton's Institute of Engineering College, Alugurajupally, Macherla, Guntur Dist, AP, India

²Assistant Professor Dept. of ECE, Newton's Institute of Engineering College, Alugurajupally, Macherla, Guntur Dist, AP, India

Abstract- Among the emerging technologies recently proposed as alternatives to the classic CMOS, Quantum-dot cellular automata (QCA) is one of the most promising solutions to design ultra low power and very high speed digital circuits. Efficient QCA-based implementations have been demonstrated for several binary and decimal arithmetic circuits, but significant improvements are still possible if the logic gates inherently available within the QCA technology are smartly exploited. This brief proposes a new approach to design QCA-based BCD adders. Exploiting innovative logic formulations and purpose designed QCA modules, computational speed significantly higher than existing counterparts are achieved without sacrificing either the occupied area or the cells count.

Index Terms- QCA, CMOS, BCD.

1. INTRODUCTION

Optimizations in VLSI have been done on three elements: Area, Power and Timing (Speed). Area advancement implies decreasing the space of rationale which involve on the bite the dust. This is done in both front-end and back-end of structure. In front-end plan, appropriate depiction of improved Boolean articulation and evacuating unused states will prompt limit the gate/transistor usage. Parcel, Floor arranging, Placement, and directing are perform in back-end of the plan which is finished by CAD device .The CAD apparatus have a particular calculation for each procedure to create a territory effective structure like Power advancement. Power streamlining is to lessen the power dispersal of the plan which endures by working voltage, working recurrence, and exchanging movement. The initial two elements are only determined in plan imperatives yet exchanging movement is a parameter which shifts

powerfully, in view of the manner in which structures the rationale and info vectors. Timing streamlining alludes to meeting the client requirements in productive way with no infringement generally, enhancing execution of the plan.

Quantum-speck cell automata (QCA) are an appealing rising innovation appropriate for the improvement of ultra-thick low-control elite advanced circuits. Quantum-speck cell automata (QCA) which utilizes exhibit of coupled quantum dabs to execute Boolean rationale work. The upside of QCA lies in the greatly high pressing densities conceivable because of the little size of the specks, the rearranged interconnection, and the to a great degree low power defer item. An essential QCA cell comprises of four quantum dabs in a square cluster coupled by passage hindrances. Electrons can burrow between the dabs, yet can't leave the cell. In the event that two abundance electrons are set in the cell, Coulomb repugnance will drive the electrons to dabs on inverse corners. There are therefore two enthusiastically proportionate ground state polarizations can be marked rationale "0" and "1". The fundamental building squares of the QCA engineering are AND, OR and NOT. By utilizing the Majority gate we can diminish the measure of delay. i.e by figuring the engendering and generational conveys.

2. EXISTING SYSTEM

The principle goal of this paper is to perform both BCD expansion and BCD subtraction in a solitary circuit with least number of gates check and steady info. To accomplish the activity of reversible BCD expansion and subtraction in a solitary circuit two

new gates are proposed which are advanced to such an extent that it doesn't have any limitations of reversible gates as made reference to above. It has been demonstrated that the proposed reversible BCD math circuit is superior to anything the current rationales in the writing; as far as number of trash yields, constants inputs and the gate tally.

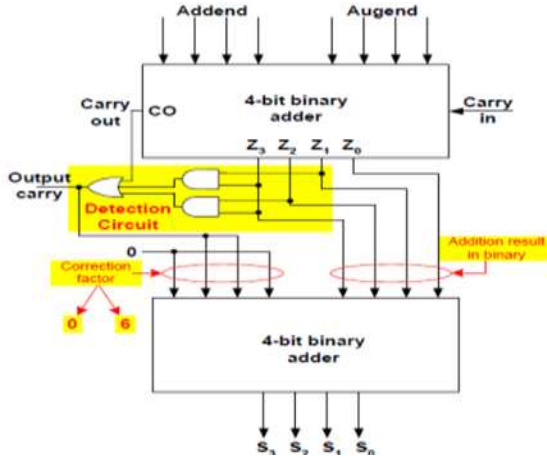


Fig 1: The conventional block diagram of BCD.

BCD or on the other hand Binary Coded Decimal is that number framework or code which has the twofold numbers or digits to speak to a decimal number. A decimal number contains 10 digits (0-9). Presently the proportional paired numbers can be discovered of these 10 decimal numbers. If there should be an occurrence of BCD the parallel number shaped by four paired digits, will be the comparable code for the given decimal digits. In BCD we can utilize the double number from 0000-1001 just, which are the decimal proportionate from 0-9 individually. Assume in the event that a number have single decimal digit, it's comparable Binary Coded Decimal will be the particular four double digits of that decimal number and on the off chance that the number contains two decimal digits, it's identical BCD will be the separate eight paired of the given decimal number. Four for the principal decimal digit and next four for the second decimal digit. It might be cleared from a precedent.

3. PROPOSED SYSTEM

QCA Majority Gate:

The QCA greater part gate plays out a three-input rationale work. Accepting the sources of info are A, B and C, the rationale capacity of the greater part door is $M = AB + BC + CA$

QCA BCD Adder

A BCD adder is a circuit which includes two 4-bit BCD numbers in parallel and creates a 4-bit BCD result. Fig. 1 demonstrates the square outline of ordinary BCD adder. The circuit must incorporate the remedy rationale to create substantial BCD yield. Two 4-bit BCD numbers X and Y alongside convey input is included utilizing ordinary 4-bit parallel adder, 4-bit whole and a do is taken. In the event that the convey yield is set or if the outcome is more noteworthy than nine, twofold 0110 is added to the transitional whole yield with the assistance of second stage 4-bit parallel adder circuit.

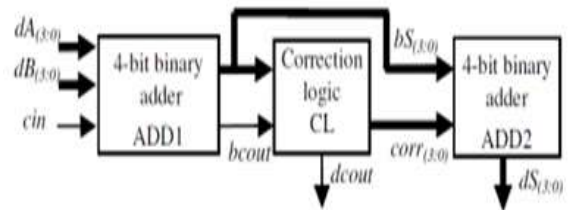


Fig 2: BCD adders using QCA.

A novel QCA adder configuration is exhibited that lessens the quantity of QCA cells when contrasted with recently revealed structures. We show that it is conceivable to plan a CLA QCA one-piece adder, with indistinguishable diminished equipment from the bit-sequential adder, while holding the less difficult timing plan and parallel structure of the first CLA approach. The proposed structure depends on another calculation that requires just three larger part doors and two inverters for the QCA expansion. It is noticed that the bit-sequential QCA adder utilizes a variation of the proposed one-piece QCA adder. By interfacing n proposed one-piece QCA adders, we can get an effective n-bit QCA adder with CLA.

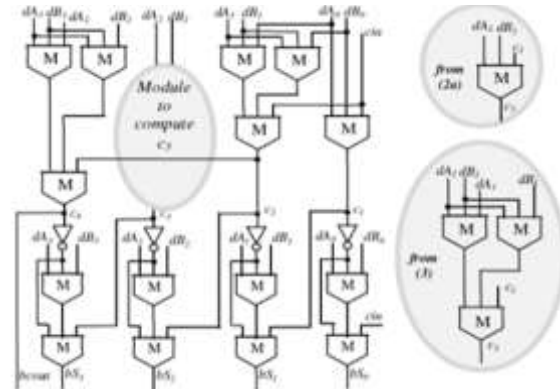


Fig. 3 The new ADD1 module.

Fig. 3 shows the QCA circuit reason intended for the ADD1 module misusing the previously mentioned

portrayed rationale. It is important that, to process C3, both (2a) and (3) could be utilized. The subsequent circuits are delineated in the insets of Fig. 2. The previous is really abused since proliferating C1 rather than C2 would not diminish the general postponement of ADD1. Undoubtedly, utilizing (3) would prompt pointless extra MGs. Because of Equation 1, the novel circuit shows a basic computational way of five MGs and one inverter, which is one MG shorter than the ordinary Ripple-Carry Adder (RCA) [18]. In addition, the novel ADD1 module utilizes just 16 MGs and 4 inverters, consequently defeating likewise the customary 4-b CLA [19], which is executed utilizing 43 MGs and 4 inverters. The decimal carryout *dcout* and the decimal entirety *dS(3:0)* are then ascertained after the novel methodology exhibited in Equation 2.

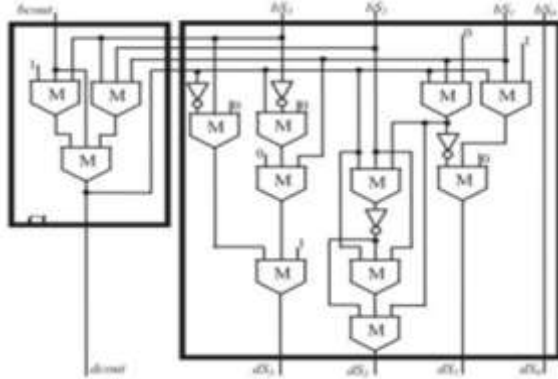


Fig. 4 Module CL and New ADD2module.

As the fundamental outcome, the proposed methodology prompts the best exchange off between the by and large possessed region and the speed exhibitions. To comprehend the new plan technique, given us a chance to inspect first the 4 bits paired adder ADD1. 4 bit paired adder ADD1 gathers the estimation of information *dA(3:0)* and *dB(3:0)* and its convey "cin" and make sense of its parallel yield as

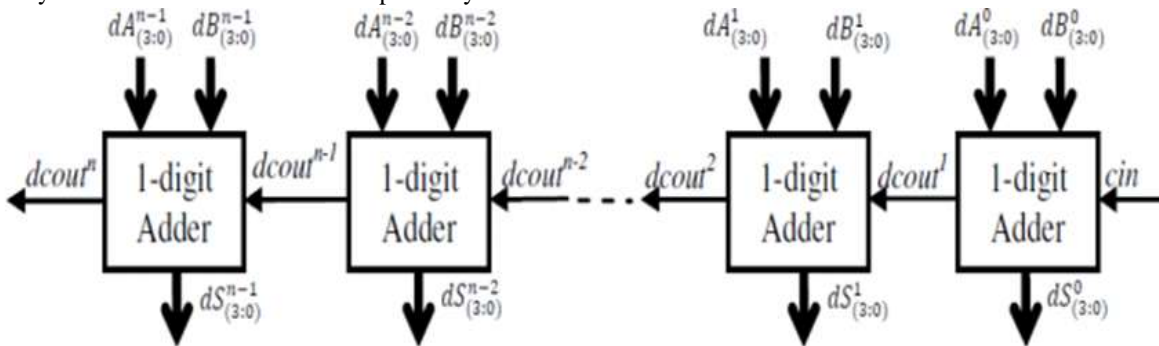


Fig: 5 The Proposed n-digit BCD adder

bS(3:0) and "*bcout*", this entire procedure it completed according to the condition (2a) that presents just a single Majority gate(MG) between *Ci* and *Ci+1*.

$$C_{i+1} = M(dA_i, dB_i, C_i) \dots (2a)$$

$$C_{i+2} = M(C_i, M(dA_{i+1}, dB_{i+1}, g_i), M(dA_{i+1}, dB_{i+1}, p_i)) (2b)$$

Subsequently, the spread of *Ci* through useless positions would require two fell MGs to acquire the carry *Ci+2*. Then again, as examined in [19] and given in (2b), by misusing the helper produce and engender signals $g_i = dA_i \cdot dB_i$ and $p_i = dA_i \oplus dB_i$, the convey *Ci+2* can be processed by spreading *Ci* through only one MG. Condition 1 exhibits a novel method to proliferate *Ci* through two continuous piece positions that additionally presents only one MG among *Ci* and *Ci+2* yet keeping away from the calculation of *gi* and *pi*. As a result of Equation 1, the 4-b adder ADD1 can be acknowledged by registering the conveys as detailed in

$$C1 = M(dA0, dB0, cin)$$

$$C2 = G1 + P1 \cdot G0 + P1 \cdot P0 \cdot$$

$$Cin = M(Cin, M(dA1, dB1, dA0), M(dA1, dB1, dB0))$$

The BCD adder here introduced pursues the customary best dimension structure showed in Fig.5,. As the primary outcome, the proposed methodology prompts the best exchange off between the in general possessed zone and the speed exhibitions. To comprehend the new structure technique, how about we look at first the 4-bit double adder ADD1. It gets the digits *dA(3:0)* and *dB(3:0)* and the convey *cin* as sources of info, and registers the double outcomes *bcout* and *bS(3:0)*. Shows that, for QCA-based undulating adders, the ideal rationale structure for spreading a help *Ci* through a solitary piece position is spoken to by that presents just a single MG among *Ci* and *Ci+1*.

