

iOS and Android Application for Training and Placement Department

Akshay Thete¹, Rucha Chaudhari², Kiran Hiwane³, Varsha Salve⁴

^{1,2,3,4}B. E Student, Department of Computer, Maratha Vidya Prasarak Samaj's Karmaveer Baburao Ganpatrao Thakare College of Engineering, Nashik, India

Abstract - Training and Placement Application is a leading step in automating the very much manual and tedious task of training and placement department. This provides a platform which has all the required information of students and so it can match the exact student profile with the company's requirements. Main purpose of this project is to provide a friendly access to its user, may it be a student, a training and placement officer or any official of the college. Students would be easily feeding there required data into the system and then the TPO can also easily fetch the required matching student details. As this would be a complete automated system it will reduce lots of human efforts and also will save a lot of time of both Students and TPO in submitting and chasing for the required data respectively. This system could also be used as a central depository which controls/possess the entire data of student academic details.

Index Terms - Application, Automating, Platform, Friendly access, Easily Featch, Easily Feeding, Central Depository.

1.INTRODUCTION

Nowadays importance is given to the wireless technology and effective system. Computers and technology have become part of our life for accessing almost everything we basically do. Life now is full of indispensable technological advancement and in this technological era it is very difficult for any organization to survive without technology. The World Wide Web contributes enormously to the creation of an ever-increasing global information database. It could also be used as a system to share information within an enterprise. Placement management system helps the training and placement officers to overcome the difficulty in keeping records of hundreds and thousands of students and searching the eligible students for recruitment, based on various eligibility criteria of different companies. It helps in

effective and efficient utilization of the hardware and the software re-sources. The students will create their accounts and the administrator will accept or reject their request. Based on the approval from administrator the students will be allowed to proceed further. The students will then enter their details which will be approved by administrator. Once approved, the students will get notified on every update from TPO. They can also change their password and details, if necessary, in future. This gives quick visual confirmation of security and guarantees that redundancy will not be allowed, in fact, what was intended.

1.1 Problem Statement

Management of training placement activities using iOS and Android application for Training and Placement Department.

1.2 Objectives

1. To provide recruitment to students: Student recruitment should be recognized as a key component in the sustainability and success of an institution and must be a prime responsibility of an institution's strategic plan. Equipping the Training and placement office to recruit the qualified students and the right number of students is critical to the long-term sustainability of an institution, and IT plays a important role.

2. Planning and organizing various Placement drives in campus: Students should use the fair in order to grab the opportunity understand what companies are looking for in cand- dates and what skills are vital for their future roles. Career/Job Fairs are a valuable opportunity to hone net-working skills and gain practice in articulating their value to a prospective employer.

3. Provides Resume building services: Student can tailor their resume by selecting wording that best fits

for each job they apply. Crafting the resume by the students in order to apply for their dream jobs.

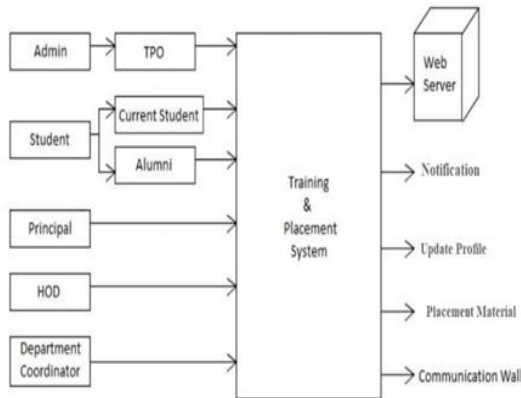
2. LITERATURE SURVEY

This paper describes the solution for problem which occurred in existing manual system. The major problem in existing manual system is searching and updating of the student data. The proposed system provides automation in all the processes like registration, update, and searching of the student data. This paper describes the idea about the users and their authority. This makes the application easier and more at-tractive. There are mainly two users: TPO (administrator) and student. The admin is the master user. Admin has the greater number of priorities than the other users. The different functions involved are updating. Student can register and can view/edit their profile details

3.SYSTEM DESIGN

3.1 System Architecture

Architecture diagram’s purpose is to depict an architectural view from a particular stakeholder’s viewpoint. Architecture diagram represents the overall framework of the system. It can be defined as the blueprint of the entire system. The above architecture diagram shows the different components of system and shows how those components interact with each other.



One authorized Departmental coordinator can register with the system. Staff can give the important materials to students for that will be helpful for the placement. They also uploads/download the information.

4. IMPLEMENTATION

Ionic is open-source framework used for developing mobile applications. It provides tools and services for building Mo-bile UI with native look and feel. Ionic framework needs native wrapper to be able to run on mobile devices. This is an introductory tutorial, which covers the basics of the Ionic Open-Source Framework and explains how to deal with its various components and sub-components Ionic is a front-end HTML framework built on top of AngularJS and Cordova. As per their official document, the definition of this Ionic Open-Source Framework is as follows: Ionic is an HTML5 Mobile App Development Framework targeted at building hybrid mobile apps. Think of Ionic as the front-end UI framework that handles all the look and feel and UI interactions your app needs to be compelling. Kind of like” Bootstrap for Native”, but with the support for a broad range of common native mobile components, slick animations and a beautiful design. Languages Used

Front-End- JavaScript, Angular Js, HTML

Back-End- PHP.

Database - MySQL

5. ROLE OF USER IN SYSTEM

TPO:

TPO is the administrator of this system. TPO can be a TPO for Engineering, Polytechnic and Pharmacy. TPO is able to view the student details of all departments. TPO is able to upload the required material for the student. TPO can communicate with the Students, Principal, HOD and Departmental coordinator through communication wall. TPO can feed the notification about the events that will be conducted by the T&P cell, also about upcoming company. TPO can send the email to the students who will be eligible as per the company criteria. System will retrieve list of students based on the company criteria and send it to the company. TPO can generate report of the student’s department wise. TPO can sort the information based on the requirement.

Students:

Once the student login, they can create and edit their pro-file. They can handle their profile by putting all the information. They create the profile by entering their personal, academic information. They will come to know about forth-coming company through notification and student can be apply to the Company if student is eligible to the company. student can also

view, download the visited company aptitude question paper. They can communicate with the other users through the communication wall. Student will also get the notification which is feed by the TPO.

6. SCOPE AND APLICABILITY

Scope: Our project has a big scope to do. Students can access previous information about placement. We can store information of all students. Various companies can access their information. Notifications are sent to students about the companies.

Applicability: This project “iOS and Android Application for Training and Placement Department “is applicable for the co- leges TPO and Students.

7. CONCLUSION

The introduction, problem definition of the project has been completed successfully to college App based placement management system by maintaining the student details related to placement in an efficient manner.

8.ACKNOWLEDGMENT

We want to thank our guide Prof. S. T. Datir his continues support and also for his encouraging and also fruitful ad-vises in accomplishing this task.

REFERENCES

- [1] Sanket R. Brahmankar, Rahul S. Ghule, Shubham K. Chavan, Landge D. Ashish, Pavan D. Borse, “A Survey on Android App for Training and Placement cell”, IJARIE-ISSN(O)-2395-4396, Vol-1 Issue-4 2015.
- [2] Anjali.V, Jeyalakshmi.PR, Anubala.R, SriMathura devi.G, Ranjini.V, “Web Based Placement Management System”, International Journal of Computer Science and Information Technologies, Vol. 7 (2), 760-763, 2016.
- [3] ” Review on Training Placement Cell System” Godawari Chouhan, Monika Devi, Prof. Teshu Gaurav Singh, Department of Computer Science Engineering,SSIPMT, Raipur, Chhattisgarh, India, International Journal of Latest Technology in Engineering, Management Applied Science (IJLTE-MAS), Volume VII, Issue III, March 2018.
- [4] Hitesh Kasture, Sumit Saraiyya, Abhishek Malviya, Preeti Bhagat, “Training Placement Web Portal”, International Journal on Recent and In-novation Trends in Computing and Communication ISSN: 2321-8169 Volume: 2 Issue: 3, March-2014)