

Utilization of RSSI and Neuron Stimulator to Prevent Escapism of the Prisoners

Dr. Sharmila Durai¹, Jaya Swathi K², Jeraldin Lysania A³

¹Associate Professor, Department of Electronics and Communication Engineering, RMD Engineering College, Affiliated to Anna University, Chennai, India

^{2,3}UG Students, Department of Electronics and Communication Engineering, RMD Engineering College, Affiliated to Anna University, Chennai, India

Abstract- The Proposed System aims at preventing escapism of the prisoners in the prison environment. To accomplish the above target, the prison environment is divided into three zones namely secured, intermediary and endangered. An RSSI (Received Signal Strength Identification) technology is implemented to estimate prisoner's distance within the boundary line depending upon signal strength. The RSSI module is placed internally in the prisoner's device that works on the principle of signal strength. If the prisoner is in the secured zone, then signal strength will be high. If suppose the prisoner reaches endangered zone, then signal strength will be low. When the signal strength is low, automatically an alarm alert is sent to the control room. The control room in turn activates neuron stimulator in prisoner's device. The neuron stimulator injects small range of current pulse into the prisoner's body which disables further movement of prisoner. Even if the prisoner tries to break the device, a buzzer alert is given through vibration sensor to the control room. If the prisoner tries to escape from the prison environment, then the exact location of prisoners can be estimated using GSM and GPS Technologies.

Index terms- RSSI module, neuron stimulator, vibration sensor, GSM & GPS, Embedded C

I. INTRODUCTION

Manual monitoring systems are not efficient in keeping track of prisoner's activities. In today's life monitoring prisoners in prison environment, tracking the movement of prisoners and security, needs assistive technology to replace the security guard work and prevent prisoner from escaping the prison. In this paper escapism in prison environment is detected using RSSI technology which is inbuilt in the device. It is the strong technology that ensures prisoners attendance inside the prison environment.

As security officials are easily botched by prisoners by means of deviating the officials to move away from their positions, it is again an additional offence during imprisonment. RSSI technology overcomes the disadvantage of manual monitoring technique. Proposed system uses Wi-fi range to trace the prisoner's location. RSSI in the prisoner's device is used to track prisoner in both indoor and outdoor environments. This system, uses RSSI module to stalk the current location of convicts at all time. RSSI technology paves way for tracing inmates of the prison current location by using GSM and GPS technologies.

It has very fast response compared to others and it is economically feasible. It reduces man power and also the workload for prison officers. With this system the prisoners can be monitored with less number of jailers or even it can be monitored from different place with no jailers. They can safely monitor them from a different place because the officials will get an alarm if the prisoner tries to escape or break the device and they will get the current location of the prisoner even if he reaches certain distance away from the prison. As a result it becomes easy for the jailer to monitor the prisoners.

II. EXISTING SYSTEM

The current system is provided with a CCTV device to ensure prisoner's localization inside the jail by the prison officers. But monitoring through CCTV is not an effective method to prevent escapism of the prisoners. It may result in human errors and delays. At times, security officials are deviated by prisoner whose intention is to escape from prison environment. In this method more number of officers are needed to

review the camera continuously. There is also a probability of the prisoner to break CCTV device which may lead to escapism. Previously there is an alert system that only intimates the officials about the escapism of the prisoners but does not pave way for prevention. The above procedure is a long process for intimation and it is not effective enough.

III. PROPOSED SYSTEM

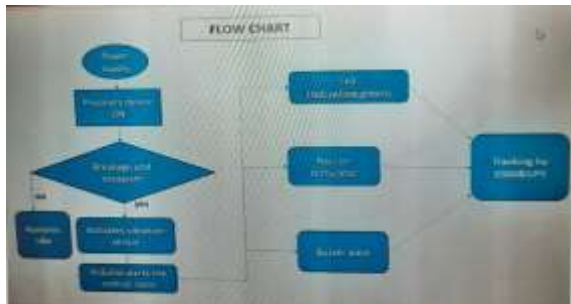
In proposed system, a prisoner device is used which employees RSSI module. It helps in the detection of prisoner's distance based on WIFI technology which works under the principle of signal strength. In this system, RSSI module is placed indoor in a wireless network to determine when the amount of signal strength reaches high, above the threshold level.



FABRICATED KIT OF PROPOSED SYSTEM

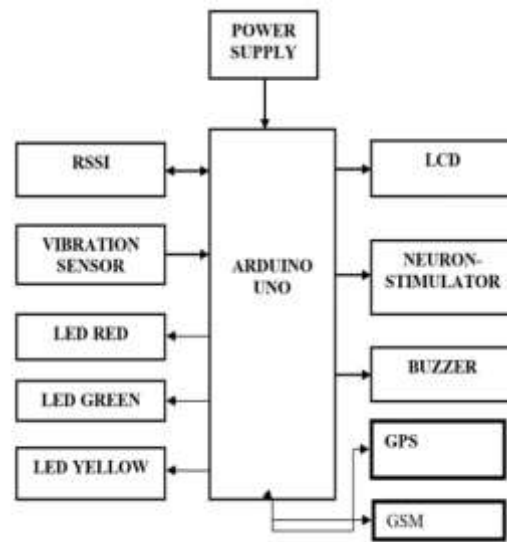
The distance range is divided into three zones namely secured, intermediary and endangered depending upon signal strength. The distance calculation helps in sending alert messages to the control room. In this system, if the prisoner tries to escape, accurate location can be estimated using GSM and GPS technology. Breakage of prisoner device can be prevented by stimulating current pulse to the prisoner with the help of neuron stimulator.

IV. FLOW CHART



1. Power Supply is switched ON.
2. Initially prisoner's device is set up and switched ON.
3. If suppose prisoner tries to escape an alert is given to the control room through buzzer.
4. And if the prisoner tries to break the device vibration sensor will be activated and neuron stimulator injects short current pulse to the prisoner.
5. Once the prisoner indulges in escaping, the distance can be estimated using RSSI technology.
6. Safe, intermediate and danger zone are categorized depending upon the distance moved by the prisoner.
7. And finally, the prisoner's location can be estimated using GSM and GPS.

V. BLOCK DIAGRAM

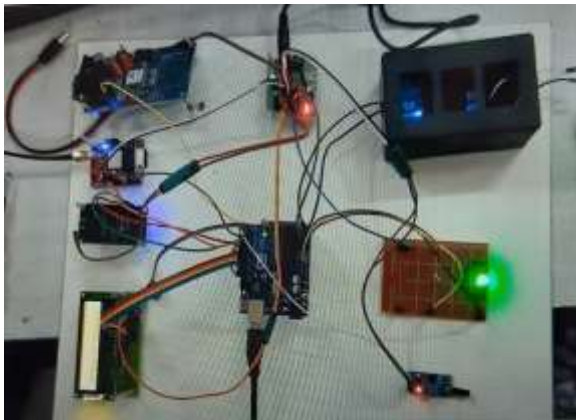


RSSI technology is a way of detecting prisoner's distance through strength of the signal. The proposed system, makes use of RSSI technology to detect whether the prisoner stays within the prison environment or not.. The main components of the kit are RSSI module and neuron stimulator. If the prisoner tries to escape from the prison environment an automatic buzzer alert is sent to the control room. The control room automatically sends a control to prisoner's device to activate neuron stimulator. The neuron stimulator injects a small range of current pulse into prisoner's body to prevent movement of the escaping prisoners. If any breakage of prisoner's

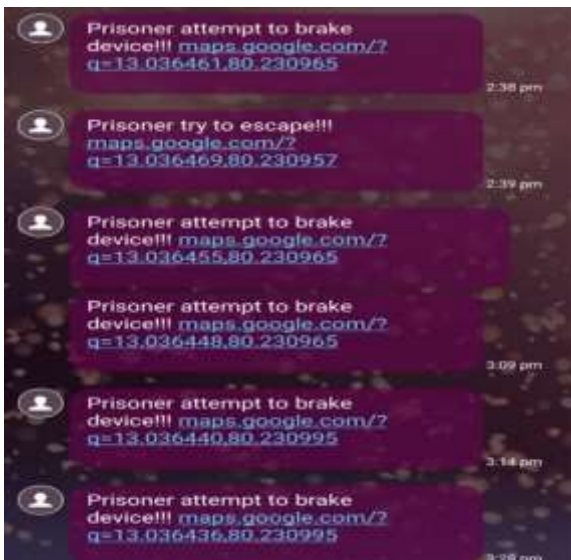
current pulse into the prisoner's body. As a result the prisoner's further movement is terminated. The prisoner's device is operated by the prison officers inside the control room. This technique prevents escapism of prisoners and allows them to move in secured zone without any problem. If in case of any flaw or if the prisoner tries to escape outside the prison environment, location can be tracked using GSM and GPS technologies.

On escaping, the system triggers the GSM Module and the message is sent to the responsible person. It also leads to the activation of neuron stimulator which releases current pulse and prevents the inmates of prison from escaping. This technique can be implemented in the fields of defense and also in military applications. It also finds application in rural areas.

VIII. RESULT



HARDWARE PART OF THE SYSTEM



SOFTWARE PART OF THE SYSTEM

IX. CONCLUSION

RSSI based system of tracking prisoner's location which has a greater advantage, that the prisoners can be monitored 24*7 from anywhere, anytime and anyplace.

This system reduces the work for security officials and ensures 100 percent prevention of escapism. It also provides a better livelihood to those officials who are responsible for monitoring the prisoners. With this system the prison can be monitored with less number of jailers or even it can be monitored from a different place with no jailers. Because they can safely monitor them from a different place and the jailer will get an alarm if the prisoner tries to escape or break the system and he will get the current location of the prisoner even if gets out of the prison. So it becomes an effective method for the jailer to monitor.

XI. FUTURE SCOPES

The present work has been composed to achieve future targets that includes

1. Military Applications.
2. Neglection of illegal and unauthorized transactions.

REFERENCES

- [1] Emildo Di Giampaolo, Hongchul Lee, "A Passive UHF-RFID System for the Localization of an Indoor System", in IEEE Transactions on Industrial Electronics in 2018.
- [2] Luo Qinghua, Yu Peng, "RSSI based localization through uncertain data mapping", in IEEE Sensors journal in 2018.
- [3] G. Lamm, G. Falauto, "Bluetooth wireless networks security features", in IEEE Information Assurance and Security in 2018.
- [4] N Bulusu, D Estrin, "Low cost Outdoor Localization for very small devices", in IEEE Personal Communications in 2017.
- [5] S. Sarkka, V.V.Vikari, "Phase based RFID Tracking with non-linear Kalman filtering", in IEEE Sensors Journal in 2017.
- [6] Jinze Du, Yide Wang, "An RSSI based parameter tracking strategy for constraint position", in IEEE Advances in Signal Processing 2017.

- [7] Gracioli, "Evaluation of an RSSI based Location Algorithm for Wireless Sensor Networks", in IEEE Latin America Transactions in 2016.
- [8] G. Olivia , R.Setola ,” An RSSI based approach for mobile tracking” , in IEEE Transactions on mobile computing in 2016.
- [9] R. Tesiero, J.A Gallud, "Tracking autonomous entities using RFID Technology“, in IEEE Transaction on Electronics in 2016.
- [10] B.S. Choi, J.W. Lee, "A hierarchical algorithm for indoor mobile robot localization using RFID Sensor”, in IEEE Transactions Electronics in 2016.

AUTHOR'S PROFILE

1. Dr. SHARMILA DURAI is an Associate Professor in the Department of Electronics and Communication Engineering in RMD Engineering College.
2. JAYA SWATHI K is a final year student in the Department of Electronics and Communication Engineering in RMD Engineering College.
3. JERALDIN LYSANIA A is a final year student in the Department of Electronics and Communication Engineering in RMD Engineering College.