

# Smart Shoes for Blind People

Anita Dombale<sup>1</sup>, Ambarish Singh<sup>2</sup>, Alankar Jagtap<sup>2</sup>, Aniket Ambilwade<sup>2</sup>, Amay Patel<sup>2</sup>, Manthan Alankar<sup>2</sup>, Vrushab Ambadkar<sup>2</sup>

*1Professor, Vishwakarma Institute of Technology, Pune*

*2Students, Vishwakarma Institute of Technology, Pune*

**Abstract:** Smart Shoes for blind people are a technological solution that aims to improve the mobility and independence of visually impaired individuals. The smart shoes are equipped with a variety of sensors and technologies that work together to provide real-time feedback about the user's surroundings, obstacles, and navigation directions.

The main components of the smart shoes include an inertial measurement unit (IMU), GPS receiver, microcontroller, Bluetooth module, and a haptic feedback mechanism. Accelerometers and gyroscopes, which measure the movement and orientation of the shoe, are among the sensors that make up the IMU. In addition to these, the IMU also includes a GPS receiver that provides location data used to calculate the user's position and orientation.

The microcontroller processes the sensor data and runs a navigation algorithm that calculates the safest and most efficient route for the user to take. In order to provide accurate navigation instructions, the algorithm considers a variety of factors including the user's destination, terrain, obstacle, and other environmental conditions.

The Bluetooth module enables the user to connect to a smartphone or other device to receive audio or visual instructions and feedback. The haptic feedback mechanism, such as vibrating motors, provides tactile feedback to the user about the direction and proximity of obstacles.

Smart shoes for blind people offer a unique and innovative solution to improve the mobility and independence of visually impaired individuals. They provide real-time feedback and navigation directions to help users navigate their environment safely and efficiently.

**Keywords-** Smart shoes, blind individual, comfortability, adaptive aid.

**OBJECTIVE-**The objective of this project is to design and develop a pair of shoes that can assist visually impaired individuals in navigating their environment safely and effectively.

**BACKGROUND-**For individuals who are blind or visually impaired, mobility and independence can be a significant challenge. Although canes and guide dogs can

be useful, they may not provide enough information about the surrounding environment, and they require extensive training to use effectively. Therefore, a solution that is intuitive and can provide additional information about the environment can be beneficial.

**METHODOLOGY:** The smart shoes will use a combination of sensors, such as ultrasonic, infrared, and pressure sensors, to detect obstacles and terrain changes. The shoes will also be equipped with a microcontroller that will process the sensor data and provide feedback to the user in the form of audio or vibration signals. The signals will be designed to be intuitive, allowing the user to interpret them easily without extensive training.

**RESULTS-**The smart shoes will allow the user to navigate their environment safely and independently. By using audio or vibration signals, the shoes will provide the user with real-time feedback about their surroundings, such as the presence of obstacles, stairs, or changes in terrain. The shoes will also be designed to be comfortable and fashionable, allowing the user to wear them in various situations.

**CONCLUSION:-**The smart shoes for the visually impaired project will provide a useful and innovative solution for individuals with visual impairments, enabling them to navigate their environment with greater ease and confidence. The project will help in improving the quality of life for individuals with visual impairments, allowing them to participate in activities that were previously inaccessible.



Fig.1

## I.INTRODUCTION

The visually impaired population faces many challenges in their daily lives, and one of the most significant challenges is navigating their environment safely and independently. Canes and guide dogs can provide assistance, but they may not provide enough information about the surrounding environment, and they require extensive training to use effectively. Therefore, there is a need for a solution that can provide intuitive and real-time feedback about the environment.

This project focuses on the design and development of smart shoes that can assist visually impaired individuals in navigating their environment safely and effectively. The shoes are equipped with sensors and a microcontroller that process the sensor data and provide feedback to the user in the form of audio or vibration signals. The objective of this project is to develop shoes that are comfortable, fashionable, and can provide real-time feedback about the surrounding environment.

The report will detail the methodology used to design and develop the smart shoes, including the selection of sensors and microcontrollers, the shoe design, and the signal processing algorithm. The report will also discuss the testing and evaluation of the shoes, including user testing, feedback analysis, and performance evaluation. The results of this project have the potential to improve the aids for people with visual impairments by helping them to navigate their environment with greater ease and confidence. This report will provide valuable insights into the development of smart shoes for the visually impaired population and serve as a starting point for future research and development in this area.

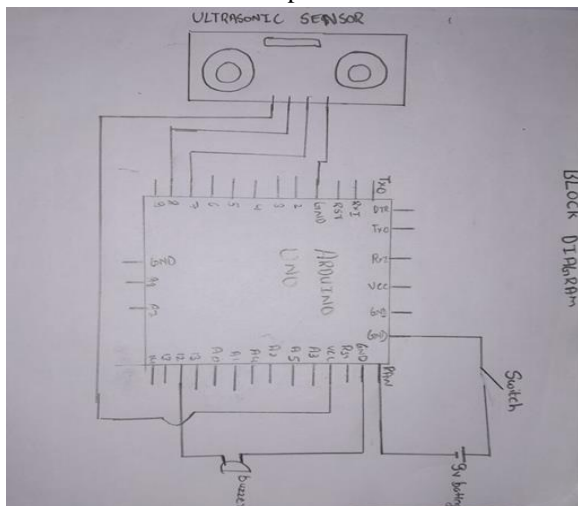


Fig.2

## II.METHODOLOGY/EXPERIMENTAL

Methodology:

The development of smart shoes for the visually impaired using Arduino can be divided into several steps:

**Sensor selection:** The first step is to select the appropriate sensors that can detect obstacles and terrain changes. Ultrasonic sensors are commonly used for this purpose. The sensors must be compatible with Arduino and have appropriate range and accuracy.

**Arduino programming:** The next step is to program the Arduino microcontroller to read the sensor data and process it to provide feedback to the user. The programming should be designed to provide intuitive feedback that can be easily interpreted by the user.

**Shoe design:** The shoes must be designed to be comfortable, fashionable, and durable. The shoes should also be able to accommodate the sensors and microcontroller.

**Signal processing:** The signal processing algorithm should be designed to provide real-time feedback to the user in the form of audio or vibration signals. The algorithm should be tested and optimized to ensure accurate and timely feedback.

**User testing:** The shoes should be tested by visually impaired individuals to evaluate their usability and effectiveness. User feedback should be collected and analyzed to identify areas for improvement.



Fig.3

**Experimental Design:**

To evaluate the performance of the smart shoes for the visually impaired, the following experimental design can be used:

**Sample selection:** A sample of visually impaired individuals should be selected for the experiment. The sample should include individuals with varying degrees of visual impairment.

**Experimental procedure:** The participants should be asked to navigate through a simulated environment with obstacles and changes in terrain. The participants should complete the task once with the smart shoes and once without the shoes.

**Data collection:** The time required to achieve the task, the number of collisions, and the reviews of the participants should be taken into consideration.

**Data analysis:** The data collected should be analyzed to evaluate the performance of the smart shoes compared to traditional navigation aids. The statistical significance of the results should be tested.

**Improvement analysis:** The feedback from the participants should be analyzed to identify areas for improvement in the shoes. The analysis should be used to refine the shoes and the signal processing algorithm.

The experimental design should be repeated as many times as possible to ensure the consistency as well as reliability of the product outcomes. The outcomes, feedbacks and reviews of the experiment can be used to evaluate the effectiveness of the smart shoes and identify areas for improvement in the shoes and the signal processing algorithm.

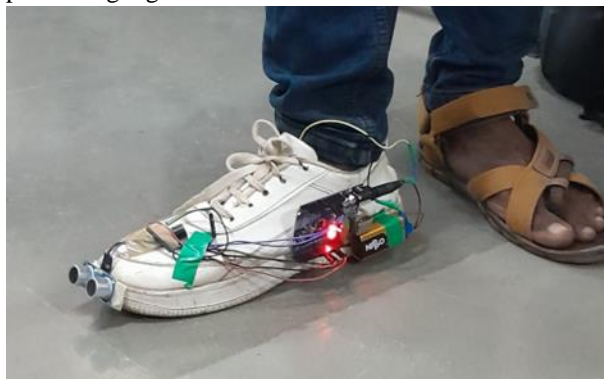


Fig.4

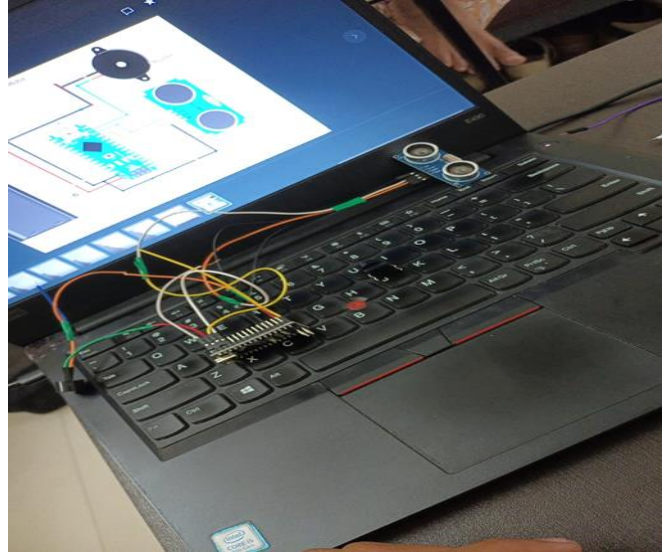


Fig.5

### III. FUTURE SCOPE

We can make product's battery rechargeable (using piezoelectric materials). So, there will be no need for a blind person to change Batteries as they will automatically charge while walking with them.

We can make the product semi-automatic by using various sensors (such as Weight sensors which can detect user and automatically starts the system).

We can add voice assistance to find the shoes (like a remote which can find your shoes with one tap).

Make it lighter by using better quality of shoe material. Using GPS modules to get live location of the shoes/blind person, so that His/ Her family member or someone can track Him/ Her.



Fig.6

#### IV. RESULTS OF FUTURE SCOPE ON IMPLEMENTATION

##### 1. Result of GPS module after implementation:

GPS modules are increasingly being used in a wide range of applications, including in shoes for location tracking. These modules provide an accurate and reliable way to track the movements of individuals, which can be useful in various contexts such as sports, fitness, and security.

One of the main advantages of using GPS modules in shoes is that they offer a discreet and convenient way to track location. Unlike other wearable devices such as smartwatches or fitness trackers, shoes are a natural and unobtrusive way to track location. This can be especially useful in situations where the wearer wants to remain inconspicuous, such as in security applications.

Another advantage of GPS modules in shoes is their accuracy. GPS technology has become increasingly sophisticated in recent years, and modern GPS modules are capable of providing highly accurate location data. This can be important in applications where precise location information is critical, such as in sports or fitness training.

However, there are also some challenges associated with using GPS modules in shoes. For example, the GPS module needs to be integrated into the shoe in a way that is comfortable and does not interfere with the wearer's movements. The power supply for the module also needs to be carefully managed to ensure that it does not add too much weight or bulk to the shoe.

Despite these challenges, GPS modules in shoes have the potential to be a valuable tool in a wide range of applications. As the technology continues to advance, it is likely that we will see more and more applications of GPS modules in shoes and other wearable devices.

##### 2. Result of Piezoelectric materials after implementation:

Piezoelectric devices are a type of technology that can convert mechanical energy, such as pressure or vibration, into electrical energy. This technology has been explored in various applications, including as a way to recharge devices such as smartphones or wearable devices. In the case of shoes for blind people, piezoelectric devices could be used to generate electrical energy as the wearer

walks, which could be used to recharge the shoes or other devices.

One potential advantage of using piezoelectric devices in shoes for blind people is that it would provide a way to recharge the shoes without the need for external power sources or frequent battery replacements. This could be especially beneficial for individuals who may have difficulty accessing charging stations or replacing batteries on their own.

However, there are also some challenges associated with using piezoelectric devices in shoes. For example, the amount of electrical energy generated by piezoelectric devices may be relatively small, which could limit the amount of power that can be stored and used to recharge other devices. Additionally, the use of piezoelectric devices could add weight or bulk to the shoes, which could be a concern for some wearers.

Overall, the use of piezoelectric devices to recharge shoes for blind people is an intriguing concept that could have potential benefits. However, further research and development are needed to optimize the technology for this application and to address any potential limitations or challenges.



Fig.

#### V. HOW OUR SHOES ARE BETTER THAN TRADITIONAL WALKING STICK

Smart shoes for blind people are an innovative and advanced technology that is designed to assist visually impaired individuals in navigating the environment with ease. The use of smart shoes is increasingly becoming popular among blind people due to its numerous benefits over the traditional walking stick. In this essay, we will

discuss how smart shoes for blind people are better than traditional walking sticks in two pages.

Firstly, smart shoes are equipped with sensors that can detect obstacles and give feedback to the wearer. This technology allows the blind person to move more freely and confidently, without the need for constant assistance from others. In contrast, traditional walking sticks require the user to tap the stick on the ground to detect obstacles, which can be time-consuming and inefficient. Smart shoes, on the other hand, use vibrations or sounds to alert the user to potential obstacles, making it much easier and quicker to navigate their surroundings.

Secondly, smart shoes can provide the user with more precise location information than a traditional walking stick. The shoes can use GPS technology to give the user real-time information about their location, including street names, building names, and directions to their destination. This is especially useful when the user is in an unfamiliar environment, such as a new city or town. In contrast, a traditional walking stick can only give the user a general sense of their surroundings but cannot provide specific location information.

Additionally, smart shoes can provide users with other useful information, such as weather updates, traffic alerts, and public transportation schedules. This information can be crucial for blind people who often have to rely on others to provide them with such information. With smart shoes, the user can access this information independently, making them more self-sufficient and reducing their reliance on others.

Moreover, smart shoes are more discreet and less obtrusive than traditional walking sticks. They look like ordinary shoes and can be worn in any situation, making them ideal for blind people who do not want to draw attention to themselves. Traditional walking sticks, on the other hand, can be cumbersome and may make the user feel self-conscious, especially in social situations.

In conclusion, smart shoes for blind people offer numerous advantages over traditional walking sticks. They provide more precise location information, are more discreet, and can provide users with other useful information. Smart shoes also allow the user to move more freely and confidently, without the need for constant assistance from others. With the increasing

availability and affordability of this technology, it is likely that smart shoes will become the preferred navigation tool for many blind people in the future.

## V. CONCLUSION

The shoe project should be developed with input from the visually impaired community to ensure that it meets their needs and preferences. It should also be affordable and accessible to people in different parts of the world.

Overall, a shoe project for blind persons has the potential to improve the lives of millions of people who are visually impaired. By providing them with a tool that helps them move around with greater ease and independence, we can empower them to live their lives to the fullest.

## REFERENCE

1. WWW.YOUTUBE.COM
2. [HTTPS://WWW.RESEARCHGATE.NET/PUBLICATION/321912198\\_SMART\\_SHOES\\_FOR\\_VISUALLY\\_IMPAIREDBLIND\\_PEOPLE](https://www.researchgate.net/publication/321912198_smart_shoes_for_visually_impaired_blind_people)
3. [HTTPS://WWW.SLIDESHARE.NET/UTSAVTRIVED190/ADVANCE-SHOES-FOR-BLIND-PEOPLE](https://www.slideshare.net/UTSAVTRIVED190/advance-shoes-for-blind-people)
4. [HTTPS://WWW.GOOGLE.COM/AMP/S/WWW.INDIATIMES.COM/AMP/TECHNOLOGY/NEWS/TEEN-BUILDS-BLIND-FRIENDLY-SHOE-SENSORS-566021.HTML](https://www.google.com/amp/s/www.indiatimes.com/amp/technology/news/teen-builds-blind-friendly-shoe-sensors-566021.html)
5. [HTTPS://WWW-CBSNEWS-COM.CDN.AMPPROJECT.ORG/V/S/WWW.CBSNEWS.COM/AMP/LOSANGELES/NEWS/SCIENTISTS-DEVELOP-SMART-SHOE-THAT-HELPS-BLIND-PEOPLE-AVOID-OBSTACLES-AND-ESCAPE-NASTY-BRUISES/?AMP\\_GSA=1&AMP\\_JS\\_V=A9&USQP=MQ331AQIUAKWASCAAGM%3D#AMP\\_TF=FROM%20%251%24S&AOH=16813220566828&REFERER=HTTPS%3A%2F%2FWWW.GOOGLE.COM&AMPSHARE=HTTPS%3A%2F%2FWWW.CBSNEWS.COM%2FLOSANGELES%2FNEWS%2FSCIENTISTS-DEVELOP-SMART-SHOE-THAT-HELPS-BLIND-PEOPLE-AVOID-OBSTACLES-AND-ESCAPE-NASTY-BRUISES%2F](https://www.cbsnews.com/cdn.ampproject.org/v/s/www.cbsnews.com/amp/losangeles/news/scientists-develop-smart-shoe-that-helps-blind-people-avoid-obstacles-and-escape-nasty-bruises/?amp_gsa=1&amp_js_v=a9&usqp=mq331AQIUAKWASCAAGM%3D#amp_tf=from%20%251%24s&aoH=16813220566828&referrer=https%3A%2F%2Fwww.google.com&ampshare=https%3A%2F%2Fwww.cbsnews.com%2Flosangeles%2Fnews%2Fscientists-develop-smart-shoe-that-helps-blind-people-avoid-obstacles-and-escape-nasty-bruises%2F)
6. [HTTPS://WWW.GOOGLE.COM/URL?SA=T&SOURCE=WEB&RCT=J&URL=HTTPS://IEEEXPLORE.IEEE.ORG/DOCUMENT/9358759&VED=2AHUKEWJPMKP79AT-AHUOSWwGHBRxAHWQFnoECDGQAQ&USG=AOvVaw20s88MI6QO3T4PKMR15Uu7](https://www.google.com/url?sa=t&source=web&rct=j&url=https://ieeexplore.ieee.org/document/9358759&ved=2AHUKEWJPMKP79AT-AHUOSWwGHBRxAHWQFnoECDGQAQ&usg=AOvVaw20s88MI6QO3T4PKMR15Uu7)